

 CZECH SPORT AIRCRAFT	<h1>SERVICE BULLETIN</h1>	Czech Sport Aircraft a.s. Na Záhonech 212, 686 04 Kunovice Czech Republic office@czechsportaircraft.com	
		No.: SB-SC-054	Rev.: -
		Date: 2018-09-10 Page: 1 of 4	Date: -

MODEL AFFECTED:	SportCruiser / PiperSport (except those operating under EASA Permit to Fly)
SUBJECT:	Replacement of the original SG0030L/P main landing gear legs by the reinforced CG0030L/P variant
AIRCRAFT AFFECTED:	All aircraft according to section "MODEL AFFECTED", as applicable.
COMPLIANCE:	Apply this Service Bulletin, when replacement of the original SG0030L/P by the reinforced CG0030L/P main landing gear legs is required.

DESCRIPTION:

This Service bulletin includes instructions for replacement of the original SG0030L/P main landing gear legs by the reinforced CG0030L/P variant.

AUTHORISATION TO PERFORM:

Repairman (LS-M) or Mechanic (A&P)

REASON:

Reinforced CG0030L/P main landing gear legs have been developed by the aircraft manufacturer with the objective to further increase operational reliability of the aircraft, mainly in highly demanding operational conditions.

WEIGHT AND BALANCE:

Affected

ELECTRICAL LOAD DATA:

N/A

REFERENCES:

SportCruiser / Piper Sport Maintenance Manual, SC-AMM-1-0-00, last revision.

PUBLICATIONS AFFECTED:

SportCruiser / Piper Sport Maintenance Manual, SC-AMM-1-0-00, last revision.

TYPE OF MAINTENANCE:

Heavy

MANPOWER:

Approximately 8 hrs.

SPECIAL TOOLS:

Common equipment and tools for aircraft servicing.

MATERIAL:

Reinforced CG0030L/P main landing gear legs, spacers CG0159L/P, fasteners, sleeve, strapping tapes, Loctite 243 or equivalent thread locker adhesive with medium bond strength – see section Accomplishment Instructions.

COSTS:

To be covered by the airplane owner / operator.



SERVICE BULLETIN

ACCOMPLISHMENT INSTRUCTIONS:

COMPONENTS NEEDED FOR THE REPLACEMENT (CG0001L/P Assembly kit, both legs)

Name	Qty.	CSA PN	Position on Fig.1
Main landing gear leg (left)	1	CG0030L	Position 1
Main landing gear leg (right)	1	CG0030P	Position 1
Spacer (left)	1	CG0159L	Position 10
Spacer (right)	1	CG0159P	Position 10
Self-locking nut	8	3121B654	(for wheel axle)
Self-locking nut	4	3121B655	Position 8
Self-locking nut	4	3121B659	Position 4
Bolt	8	3111M466	(for wheel axle)

Note: Components can be ordered as an assembly kit No.CG0001L/P from the aircraft manufacturer or authorized distributor / dealer.

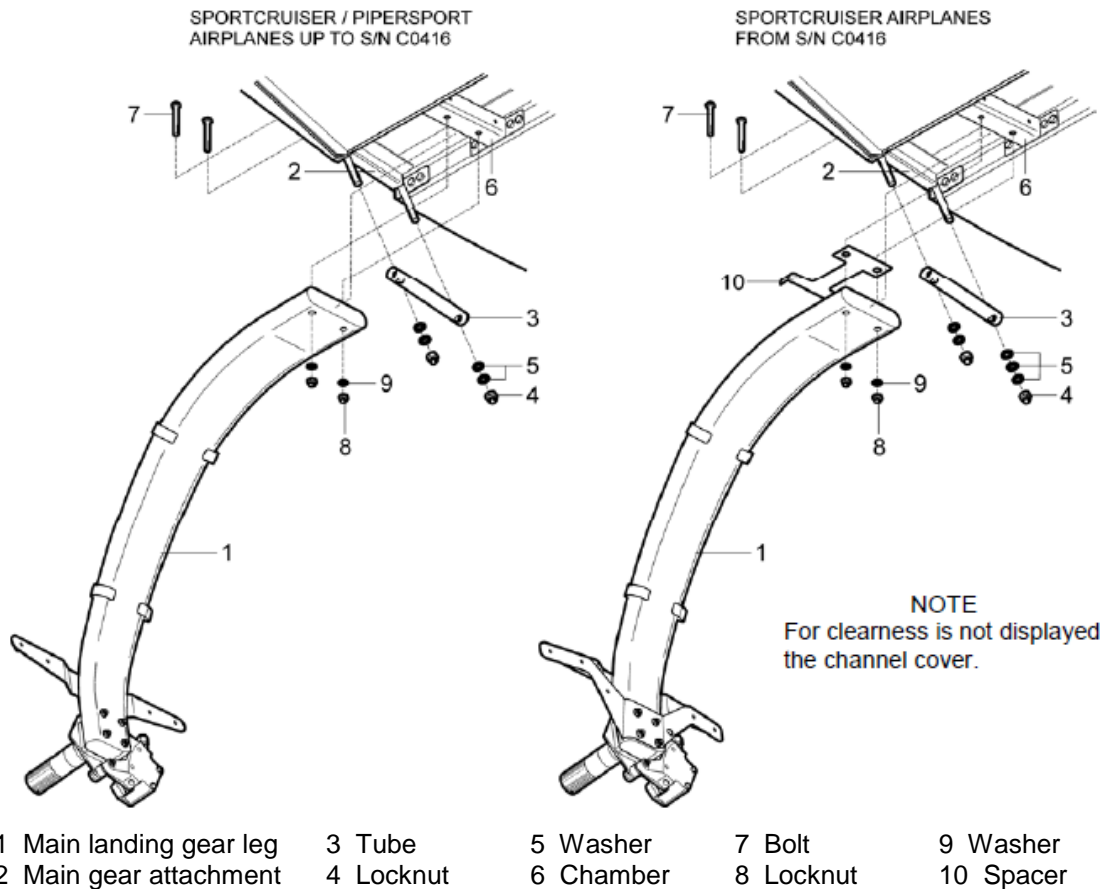


Fig.1 Main landing gear leg

 CZECH SPORT AIRCRAFT	<h1>SERVICE BULLETIN</h1>	Czech Sport Aircraft a.s. Na Záhonech 212, 686 04 Kunovice Czech Republic office@czechsportaircraft.com	
		No.: SB-SC-054	Rev.: -
		Date: 2018-09-10	Date: -
Page: 3 of 4			

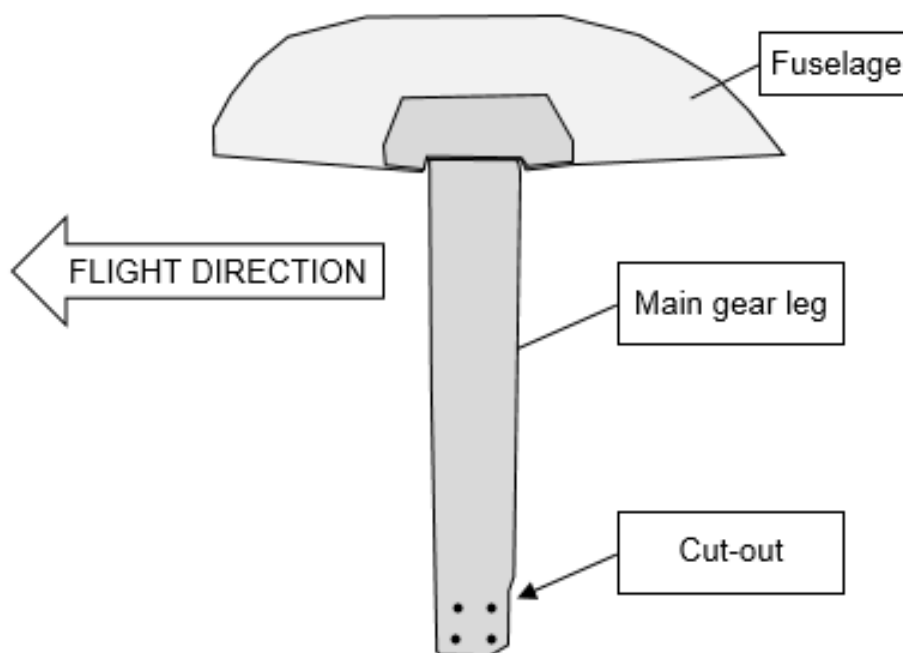


Fig.2 Main gear leg installation (illustrative sketch)

1. Removal of the original main landing gear legs

- 1.1 Move the airplane to a suitable place to perform the work
- 1.2 Follow the SC-AMM-1-0-00, Chpt.8, last revision and remove the main wheel fairings, the main landing gear wheel assembly and the original main landing gear legs.

2. Installation of the reinforced main landing gear legs

Warning: It is not allowed to mix the original SG0030L/P and the reinforced CG0030L/P main gear legs! Both the left and the right leg must be always of the same type.

- 2.1 Install the reinforced main landing gear legs, see the SC-AMM-1-0-00, Chpt.8, last revision.
- 2.2 Be careful of correct position according to the flight direction. The leg has to be installed so that the cut-out on the leg bottom part must be on the rear side, see Fig.2 above.
- 2.3 When the leg is inserted / pushed into the final position, drill two holes \varnothing 8 mm for bolts (7) in the main landing gear attachment (2) and spacer (10), see Fig.1 above.
- 2.4 Install the wheels assembly, see the SC-AMM-1-0-00, Chpt.8, last revision.
- 2.5 Check the brake function and carry out the "Conditioning procedures", see the SC-AMM-1-0-00, Chpt.8. last revision.
- 2.6 Assemble the main landing gear wheel fairing, as applicable, see the SC-AMM-1-0-00, Chpt.8, last revision.

 CZECH SPORT AIRCRAFT	<h1>SERVICE BULLETIN</h1>	Czech Sport Aircraft a.s. Na Záhonech 212, 686 04 Kunovice Czech Republic office@czechsportaircraft.com	
		No.: SB-SC-054	Rev.: -
		Date: 2018-09-10	Date: -
Page: 4 of 4			

- 2.7 Weigh the aircraft, calculate the current CG. position and write the results into POH. In case the resulting CG. position values exceed the front limit stipulated by the POH, proceed according to the instructions as per SC-AMM-1-0-00, Chpt.3, last revision.
- 2.8 Complete the aircraft records (log book) to reflect compliance with this bulletin.

APPROVAL:

This SB was approved by:

Title	Head of the Design Organisation	Airworthiness Manager
Name	Jiří Konečný	Miroslav Koukal
Hand written signature		